

FP Laser Source

1. Description:

FP high power laser source adopts butterfly semiconductor laser chip, professionally designed drive circuit and TEC control to ensure safe operation of the laser, stable output power and spectrum. Suitable as a pump laser source for biomedical, spectral analysis.

2. Features:

- High output power;
- Power and spectral stability;
- Compact module packaging.

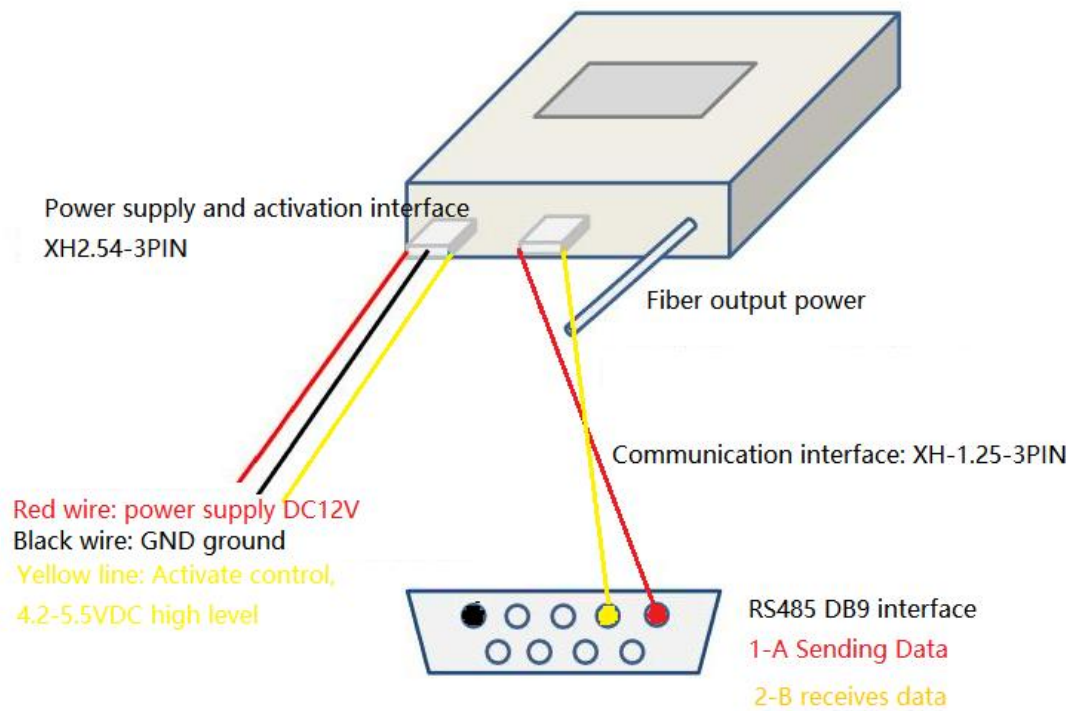
3. Applications:

- Biomedical;
- Spectral analysis;
- optical fiber sensor.

4. Electro-Optical Characteristics:

Parameters	Unit	Values			Notes
Operating wavelength	nm	532±5	785±5	1064±5	
Output power	mW	>50	>50	>50	
Fiber type	-	460-HP	Hi780	Hi1060	
Power instability (Short-term 15mins)	dB	≤±0.02			
Power instability (Long-term 8hours)	dB	≤±0.05			
Connector	-	FC/APC			
Dimensions	mm	70(W)×90(D)×18(H)			
Power supply	VDC	DC 12V/2A			XH2.54-3PIN
Activation electrical level	VDC	4.2~5.5V			
Communication interface	-	DB9 Female(RS485)			XH1.25-3PIN
Control software	-	BoxLaserCtrlV2			
Serial port software	-	PL23XX_Prolific_DriverInstaller_v207			
Operating temperature	°C	-5 ~ +55			
Storage temperature	°C	-40 ~ +85			

5. Customized drawings:



6. Ordering information:

Laser type	Wavelength	Output power	Fiber type	Connector	Dimension	(Customized)
BFL	-FXXX	-XX	-XX	-XX	-X	(XX)
Laser module	532: 532nm 785: 785nm 1064: 1064nm	50: 50mW	SM: 460-HP/ Hi780/ Hi1060	FA: FC/APC	M: Module	SD: Enablement